

8

7

6

5

4

3

2

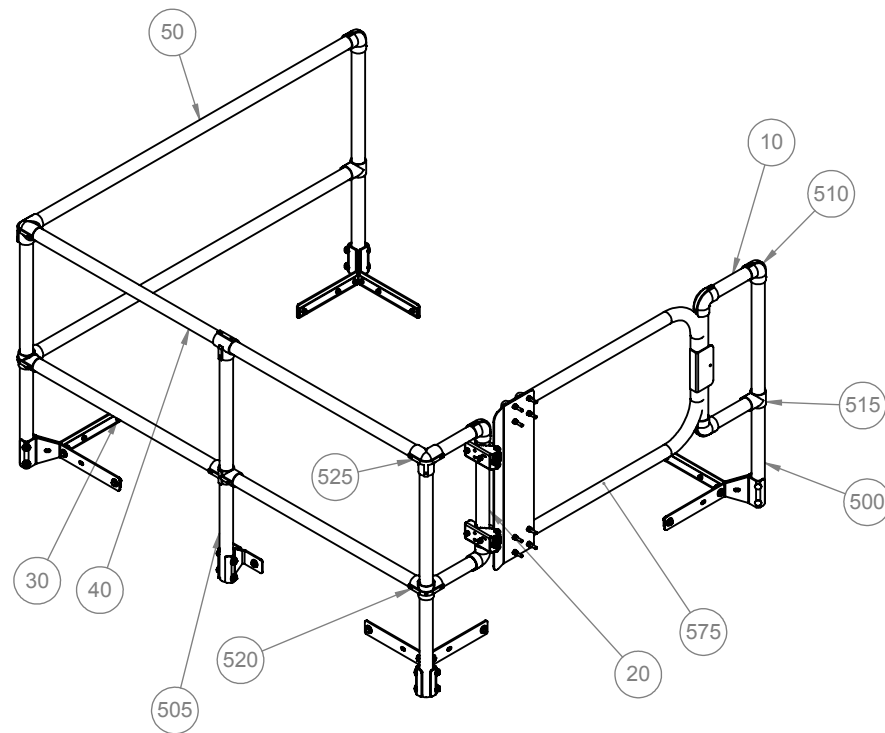
1

D

C

B

A



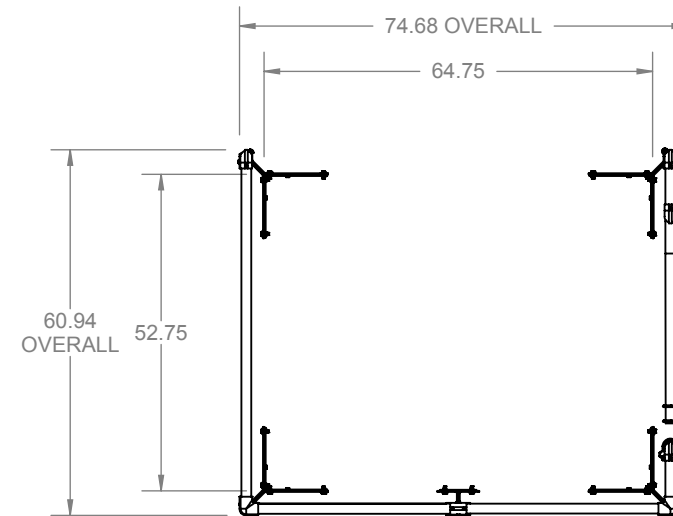
ITEM NO.	PART NUMBER	DESCRIPTION	QTY.
10	27496-8.00-Y	RAIL, 1-1/4" X 8.00L, ALUM	4
20	27496-18.00-Y	RAIL, 1-1/4" X 18.00L, ALUM	2
30	27496-33.25-Y	RAIL, 1-1/4" X 33.25L, ALUM	2
40	27496-34.00-Y	RAIL, 1-1/4" X 34.00L, ALUM	2
50	27496-56.75-Y	RAIL, 1-1/4" X 56.75L, ALUM	2
500	27180-A-Y	PKG, CORNER POST, ALUM,	4
505	27259-A-Y	PKG, SIDE POST, ALUM,	1
510	27185	FTG, ELBOW,	6
515	27188	FTG, TEE,	2
520	27186	FTG, CROSS ELBOW,	2
525	27231	FTG, DBL TEE,	2
575	SRCAY-GATE-30	GATE, 30,	1

D

C

B

A



SPECIFICATIONS

RAILS, POSTS: 6061 T6 ALUMINUM ALLOY 1 1/4" I.D. SCH 40

GATE: 1 1/4" TUBULAR ALUMINUM SELF CLOSING WITH COIL SPRING, ZINC PLATED

COUNTERFLASH MOUNTING BRACKETS: 3/16" ZINC PLATED STEEL FASTENED TO STEEL BACKING PLATE

BOLTS: HEX HEAD BOLTS 3/8"-16 x 3/4" GRADE 5 ZINC PLATED

RAILING FITTINGS AND PLUGS: MANUFACTURER'S STANDARD CAST WITH SET SCREW HOLD

FITS HATCH SIZES UP TO 48" X 60"

CERTIFICATIONS: MEETS OSHA 29 CFR 1910.28 AND 1910.29 REQUIREMENTS

FINISH: SAFETY YELLOW POWDER COAT

**SRVAY48X60SG**



9300 73rd Avenue North  
Minneapolis, MN 55428

TITLE:  
Safety Railings for Smoke Vent  
48x60, Side Exit, Sngl Door  
Aluminum, Safety Yellow Pwd, Gate

	NAME	DATE
DRAWN	SJB	TODAY
RELEASED	DWO	5/30/2019

SIZE	DWG. NO.	REV
<b>B</b>	SRVAY48X60SG	<b>A</b>

PROPRIETARY AND CONFIDENTIAL: THE INFORMATION CONTAINED IN THIS DRAWING IS THE SOLE PROPERTY OF NYSTROM. ANY REPRODUCTION IN PART OR AS A WHOLE WITHOUT THE WRITTEN PERMISSION OF NYSTROM IS PROHIBITED.

WEIGHT: Weight SHEET 1 OF 1

8

7

6

5

4

3

2

1